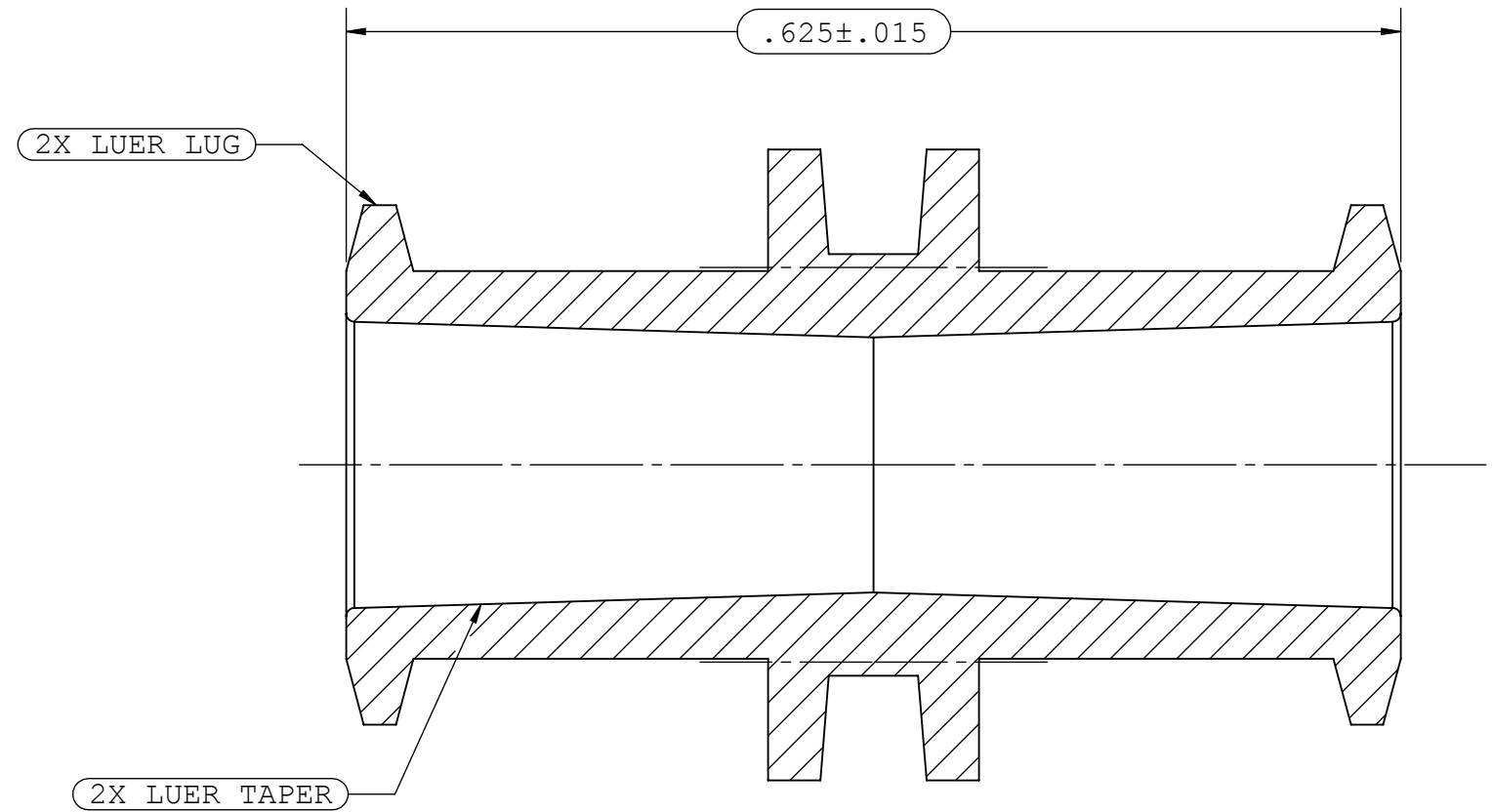
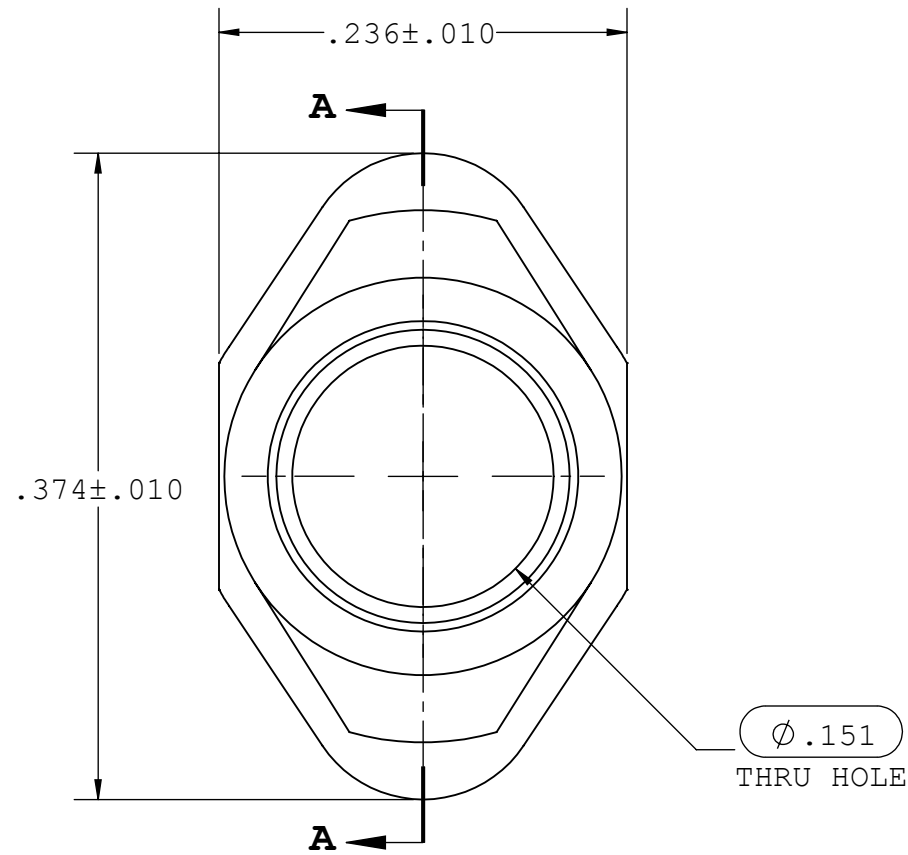
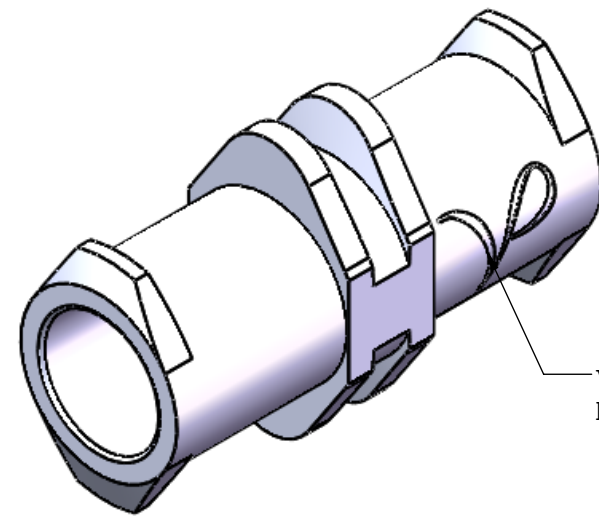


NOTES: FOR ADDITIONAL DETAILS, PLEASE CONTACT VP CUSTOMER SERVICE
 DIMENSIONS MARKED \square ARE CONTROL DIMENSIONS

REVISIONS			
REV.	DESCRIPTION	DATE	APPROVED
A	INITIAL RELEASE	06-23-97	
B	CO 016 Drafting Update	06-14-05	Rick C.
C	ECO 232 Drafting Update	05-05-15	H.L



SECTION A-A



VP LOGO MAY OR
 MAY NOT BE PRESENT

UNLESS OTHERWISE SPECIFIED DIMENSIONS ARE IN INCHES TOLERANCES ARE:		VALUE PLASTICS, INC				
FRACTIONS	DECIMAL					ANGULAR
\pm	.XX $\pm .01$	$\pm 1^\circ$	DESCRIPTION:	Female Luer Lug Style Coupler		
	.XXX $\pm .005$					
	.XXXX $\pm .001$					
DO NOT SCALE DRAWING		SIZE:	SCALE:	VER:	DWG. NO.	REV
DRAWN BY:	DATE:	B	NTS		1006630	C
Frank.Lombardi	5/6/2015					
MANAGER:		© 2011 VALUE PLASTICS, INC			SHEET:	1 OF 1
Huadong Lou						

FOR REFERENCE ONLY